

Streamline® 7700 Series Brass Full Port Ball Valves are designed for use in a full range of industrial and commercial applications. Available with threaded and solder connections in sizes ranging from 1/2" - 4", these valves offer high pressure capabilities for water, oil, and gas systems.

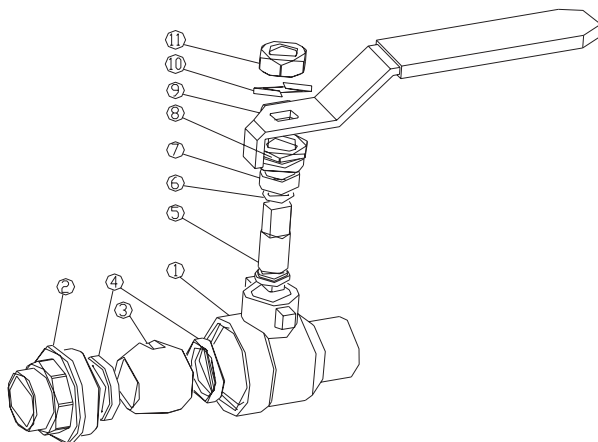
ADVANTAGES

- Made from "lead-free" and drinking water compliant brass
- Heavy-duty, rust-resistant handle with vinyl grip
- Chrome-plated brass ball for corrosion resistance
- Adjustable stem packing gland
- PTFE stem packing seal, thrust washer, and seats
- Bottom loaded blowout proof stem

OPERATING PARAMETERS

- Operating Pressure:
 - 600 PSI - 150 WSP (1/2"-2")
 - 400 PSI - Non-Shock WOG (2-1/2" - 4")
 - Saturated Steam - 150 PSI
 - Compressed Air - 100 PSI
- Operating Temperature: -20° F - 300° F

MATERIAL SPECIFICATIONS



APPROVALS & CERTIFICATIONS

SOLDER CONNECTION

- FM approved (1/2" - 2")
- UL Listed (1/2" - 2")
- Complies with ANSI B16.18
- Certified to NSF 61
- Certified to ANSI 372
- MSS-SP 110 Compliant



THREADED CONNECTION

- CSA Approved (1/4" - 4")
- UL Approved (1/4" - 2")
- FM Approved (1/4" - 2")
- Complies with ANSI B1.20.1
- Certified to NSF 61
- Certified to ANSI 372
- MSS-SP 110 Compliant



NB
NO LEAD
BRASS

TH
THREADED

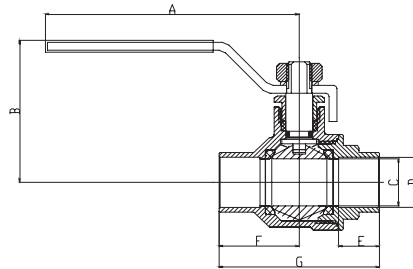
S
SOLDER

M
MULTIUSE

NUMBER	DESCRIPTION	MATERIAL
1	Body	Lead Free Brass
2	End Cap	Lead Free Brass
3	Ball	SS304
4	Seat Ring	PTFE
5	Stem	Brass
6	O-Ring	FPM
7	Packing	PTFE
8	Packing Gland	Brass
9	Handle	Steel + PVC
10	Locking Washer	Steel
11	Nut	Steel

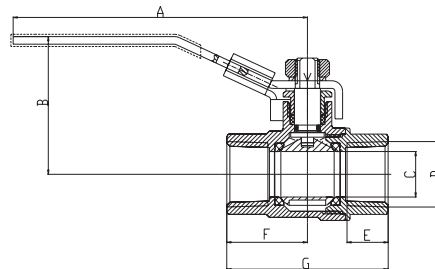
DIMENSIONAL INFORMATION

SOLDER CONNECTION



PART NO.	SIZE (IN.)	A	B	C	D	E	F	G	WT (LBS.)
117-843	1/2	3.740	1.779	0.591	0.630	0.496	0.984	1.969	0.396
117-844	3/4	3.937	1.779	0.787	0.878	0.752	1.366	2.735	0.651
117-845	1	4.330	2.197	0.984	1.128	0.906	1.675	3.346	1.116
117-846	1-1/4	5.000	2.790	1.260	1.378	0.965	1.896	3.780	1.457
117-847	1-1/2	6.181	3.039	1.575	1.630	1.102	2.213	4.417	2.074
117-848	2	6.181	3.337	1.969	2.126	1.339	2.669	5.339	3.438
117-849	2-1/2	9.449	4.783	2.559	2.630	1.476	3.118	6.236	6.135
117-850	3	9.449	6.142	2.952	3.130	1.673	3.590	7.165	7.555
117-851	4	9.449	6.850	3.897	4.130	2.165	4.634	9.275	14.991

THREADED CONNECTION



PART NO.	SIZE (IN.)	A	B	C	D	E	F	G	WT (LBS.)
117-821	1/4	3.74	1.5	0.394	NPT1/4	0.394	1.043	1.693	0.289
117-822	3/8	3.74	1.5	0.394	NPT3/8	0.413	0.866	1.732	0.298
117-823	1/2	3.740	1.779	0.591	NPT1/2	0.531	1.043	2.087	0.444
117-824	3/4	3.937	1.937	0.787	NPT3/4	0.551	1.189	2.380	0.686
117-825	1	4.331	2.392	0.984	NPT1	0.662	1.451	2.953	1.065
117-826	1-1/4	5.000	2.537	1.260	NPT1-1/4	0.681	1.652	3.291	1.552
117-827	1-1/2	6.181	3.022	1.575	NPT1-1/2	0.681	1.819	3.630	2.422
117-828	2	6.181	3.337	1.969	NPT2	0.709	2.094	4.169	3.553
117-829	2-1/2	9.449	4.783	2.559	NPT2-1/2	1.476	3.118	6.236	6.146
117-830	3	9.449	5.118	2.953	NPT3	1.063	3.008	6.012	7.588
117-831	4	9.449	5.807	3.898	NPT4	1.142	3.618	7.232	13.983

NB
NO LEAD
BRASS

TH
THREADED

S
SOLDER

M
MULTIUSE