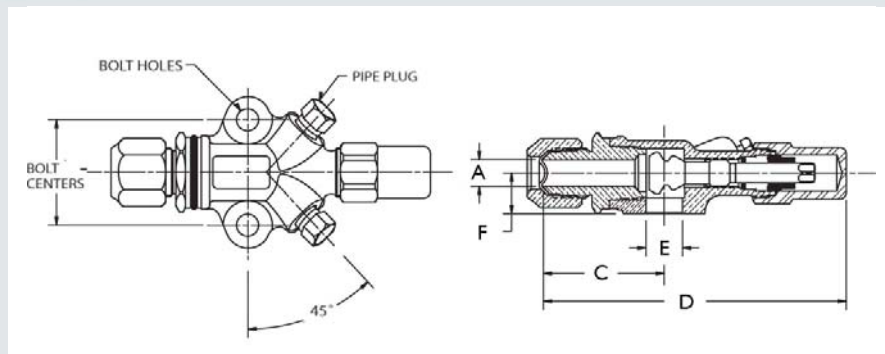




### Features:

- Design Pressure (DP) / Maximum abnormal pressure (MAP): 700 psig, 48 bar
- Continuous operating temperature (COT): -40°F/300°F, -40°C/149°C
- Contact factory or visit website for compatibility with CFC, HCFC, HFC and HFO refrigerants and oils
- UL/cUL Recognized, Conforms to Pressure Equipment Directive 2014/68/EU
- 100% tested
- Asbestos-free valve packing
- Valve openings designed for maximum flow and minimum pressure drop



Valve Part Number	Valve Kit Part Number	A		C		D		E		F		Bolt Hole		Pipe Plug Size	Flange Thickness		Seat Position	Valve Wt		Valve Kit Wt			
		in	mm	in	mm	in	mm	in	mm	in	mm	in	mm		in	mm		lb	kg	lb	kg		
A 16302	A 17518	3/8	10	1.73	44	4.45	113	0.56	14	0.62	16	1 5/8	41	.34	9	1/8	7/8	22	Mid	1.20	0.54	1.24	0.56
A 16303	A 17519	1/2	13	1.86	47	4.67	119	0.56	14	0.62	16	1 5/8	41	.34	9	1/8	7/8	22	Mid	1.17	0.53	1.17	0.53
A 16304	A 17520	5/8	17	1.99	51	4.80	122	0.56	14	0.62	16	1 5/8	41	.34	9	1/8	7/8	22	Mid	1.23	0.56	1.27	0.58

### Torque To Seal

Front Seat		Back Seat		Pack Gland		Pipe Plug	Plastic Cap	Brass Cap		Steel Cap	
(ft-lb)	(N-m):	(ft-lb)	(N-m):	(ft-lb)	(N-m):			(ft-lb)	(N-m)	(ft-lb)	(N-m)
14 - 18	19 - 24	14 - 18	19 - 24	8 - 12	11 - 16	2 - 3 Threads Exposed	NA	20 - 30	27 - 41	3 - 5	4 - 7

### References

Valve Part Number	Valve Kit Part Number *	Body Number	Standard Seal Cap		Replacement Seal Cap			Replacement Kit**	Valve Kit *	Manufacturer Reference to Valve Kit Part Number	
			Material	Seal Cap	Plastic	Brass***	Steel			Carrier	Copeland
A 16302	A 17518	A 09464	Steel	A 04566	P 34627	A 16474	A 04566	A 17420	A 17518		998-0510-15
A 16303	A 17519	A 09464	Steel	A 04566	P 34627	A 16474	A 04566	A 17420	A 17519		998-0510-16
A 16304	A 17520	A 09464	Steel	A 04566	P 34627	A 16474	A 04566	A 17420	A 17520		998-0510-17

\* Valve kit includes valve, gasket and bolts

\*\* Replacement kit contains components to pack stem (pack gland, packing and pack washer)

\*\*\* Cap and cap gasket kit

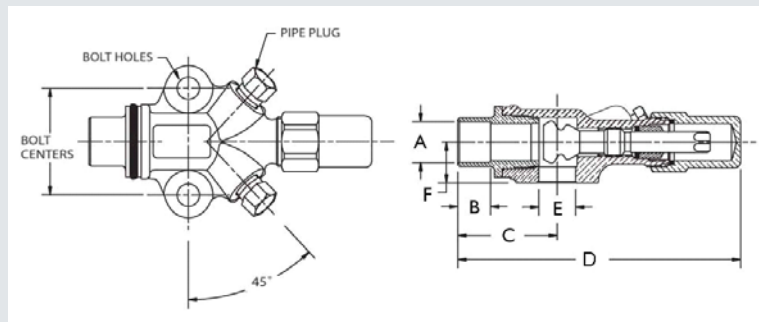
\*\*\*\* Seal cap and o-ring kit

\*\*\*\*\* O-ring included



### Features:

- Design Pressure (DP) / Maximum abnormal pressure (MAP): 700 psig, 48 bar
- Continuous operating temperature (COT): -40°F/300°F, -40°C/149°C
- Contact factory or visit website for compatibility with CFC, HCFC, HFC and HFO refrigerants and oils
- UL/cUL Recognized, Conforms to Pressure Equipment Directive 2014/68/EU
- 100% tested
- Asbestos-free valve packing
- Valve openings designed for maximum flow and minimum pressure drop



Valve Part	Valve Kit Part Number	A		B		C		D		E		F		Bolt Centers		Bolt Hole Diameter		Pipe Plug		Flange Thickness		Seat Position	Valve Wt		Valve Kit Wt	
		in	mm	in	mm	in	mm	in	mm	in	mm	in	mm	in	mm	in	mm	in	mm	in	mm		lb	kg	lb	kg
A 16307	A 17510	3/8	10	0.31	8	1.27	32	4.07	103	0.56	14	0.62	16	15/8	41	.34	9	1/8	7/8	22	Front	0.69	0.31	0.73	0.33	
A 16308	A 17511	1/2	13	0.38	10	1.40	36	4.20	107	0.56	14	0.62	16	15/8	41	.34	9	1/8	7/8	22	Front	0.86	0.39	0.90	0.41	
A 16309	A 17512	5/8	17	0.50	13	1.52	39	4.32	110	0.56	14	0.62	16	15/8	41	.34	9	1/8	7/8	22	Front	0.88	0.40	0.92	0.42	
A 16309	A 17531	5/8	17	0.50	13	1.52	39	4.32	110	0.56	14	0.62	16	15/8	41	.34	9	1/8	7/8	22	Front	0.88	0.40	0.93	0.42	

### Torque To Seal

Front Seat		Back Seat		Pack Gland		Pipe Plug	Plastic Cap	Brass Cap		Steel Cap	
(ft-lb)	(N-m):	(ft-lb)	(N-m):	(ft-lb)	(N-m):			(ft-lb)	(N-m)	(ft-lb)	(N-m)
14 - 18	19 - 24	14 - 18	19 - 24	8 - 12	11 - 16	2 - 3 Threads Exposed	NA	20 - 30	27 - 41	3 - 5	4 - 7

### References

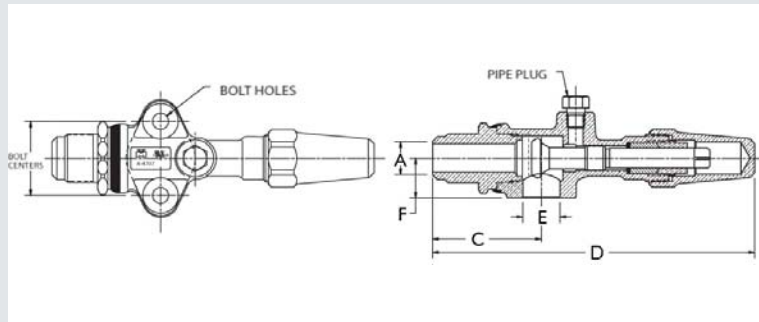
Valve Part Number	Valve Kit Part Number *	Body Number	Standard Seal Cap		Replacement Seal Cap			Replacement Kit**	Valve Kit *	Manufacturer Cross Reference to Valve Kit Part Number	
			Material	Seal Cap	Plastic	Brass***	Steel			Carrier	Copeland
A 16307	A 17510	A 09464	Steel	A 04566	P 34627	A 16474	A 04566	A 17420	A 17510	998-0510-04	
A 16308	A 17511	A 09464	Steel	A 04566	P 34627	A 16474	A 04566	A 17420	A 17511	998-0510-05	
A 16309	A 17512	A 09464	Steel	A 04566	P 34627	A 16474	A 04566	A 17420	A 17512	998-0510-06	
A 16309	A 17531	A 09464	Steel	A 04566	P 34627	A 16474	A 04566	A 17420	A 17531		

- # Plastic Bag
- \* Valve kit includes valve, gasket and bolts
- \*\* Replacement kit contains components to pack stem (pack gland, packing and pack washer)
- \*\*\* Cap and cap gasket kit
- \*\*\*\* Seal cap and o-ring kit
- \*\*\*\*\* O-ring included



### Features:

- Design Pressure (DP) / Maximum abnormal pressure (MAP): 700 psig, 48 bar
- Continuous operating temperature (COT): -40°F/300°F, -40°C/149°C
- Contact factory or visit website for compatibility with CFC, HCFC, HFC and HFO refrigerants and oils
- UL/cUL Recognized, Conforms to Pressure Equipment Directive 2014/68/EU
- 100% tested
- Asbestos-free valve packing
- Valve openings designed for maximum flow and minimum pressure drop



Valve Part Number	A		B		C		D		E		F		Bolt Centers		Bolt Hole Diameter		Pipe Plug Size	Flange Thickness		Seat Position	Valve Wt	
	in	mm	in	mm	in	mm	in	mm	in	mm	in	mm	in	mm	in	mm	in	in	mm	Mid	lb	kg
A 13166	3/4	19			2.37	60	7.05	179	0.81	21	0.85	22	15/8	41	.34	9	1/8	1 1/4	32	Mid	1.78	0.81

### Torque To Seal

Front Seat		Back Seat		Pack Gland		Pipe Plug	Plastic Cap	Brass Cap		Steel Cap	
(ft-lb)	(N-m):	(ft-lb)	(N-m):	(ft-lb)	(N-m):			(ft-lb)	(N-m)	(ft-lb)	(N-m)
22 - 40	30 - 54	25 - 45	34 - 61	15 - 25	20 - 34	2 - 3 Threads Exposed	Hand Tight	40 - 50	54 - 68	NA	NA

### References

Valve Part Number	Body Number	Material	Standard Seal Cap			Replacement Seal Cap			Replacement Kit**	Valve Kit *	Manufacturer Reference	
			Seal Cap	Gasket	O-ring Kit****	Plastic	Brass****	Steel			Carrier	Copeland
A 13166	A 04707	Brass	A 04775	A 04710	A 15099	A 15099		A 17419				

\* Valve kit includes valve, gasket and bolts

\*\* Replacement kit contains components to pack stem (pack gland, packing and pack washer)

\*\*\* Cap and cap gasket kit

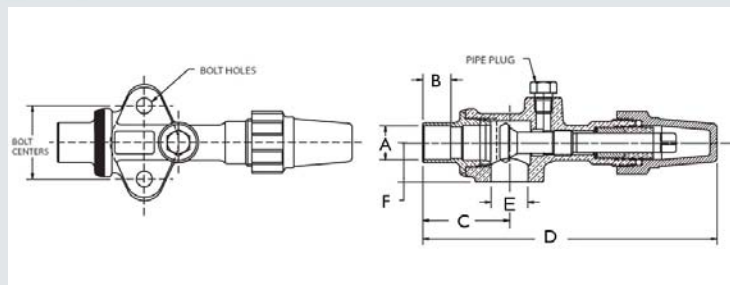
\*\*\*\* Seal cap and o-ring kit

\*\*\*\*\* O-ring included



### Features:

- Design Pressure (DP) / Maximum abnormal pressure (MAP): 700 psig, 48 bar
- Continuous operating temperature (COT): -40°F/300°F, -40°C/149°C
- Contact factory or visit website for compatibility with CFC, HCFC, HFC and HFO refrigerants and oils
- UL/cUL Recognized, Conforms to Pressure Equipment Directive 2014/68/EU
- 100% tested
- Asbestos-free valve packing
- Valve openings designed for maximum flow and minimum pressure drop



Valve Part Number	Kit Part Number	A	B	C	D	E	F	Bolt Centers	Bolt Hole Diameter	Pipe Plug Size	Flange Thickness	Seat Position	Valve Wt	Kit Wt											
		in	mm	in	mm	in	mm	in	mm	in	mm		lb	kg											
A 16310		3/4	19	0.62	16	1.91	49	6.49	165	0.81	21	0.88	22	1 5/8	41	.34	9	1/8	1 21/64	34	Front	1.64	0.74		
A 16311	A 17515	7/8	22	0.76	19	1.97	50	6.55	166	0.81	21	0.88	22	1 5/8	41	.34	9	1/8	1 21/64	34	Front	1.63	0.74	1.55	0.70
B 32197	A 17529	7/8	22	0.76	19	1.97	50	6.47	164	0.81	21	0.88	22	1 3/4	44	.34	9	1/8	1 21/64	34	Mid	1.42	0.64	1.69	0.77
A 15500		1 1/8	29	0.90	23	2.06	52	6.64	169	0.81	21	0.88	22	1 5/8	41	.34	9	1/8	1 21/64	34	Back	1.43	0.65		
A 16312	A 17516	1 1/8	29	0.90	23	2.06	52	6.64	169	0.81	21	0.88	22	1 5/8	41	.34	9	1/8	1 21/64	34	Front	1.66	0.75	1.55	0.70

### Torque To Seal

Front Seat	Back Seat	Pack Gland	Pipe Plug	Plastic Cap	Brass Cap	Steel Cap					
(ft-lb)	(N-m)	(ft-lb)	(N-m)	(ft-lb)	(N-m)	(ft-lb)	(N-m)				
22 - 40	30 - 54	25 - 45	34 - 61	15 - 25	20 - 34	2 - 3 Threads Exposed	Hand Tight	40 - 50	54 - 68	NA	NA

### References

Valve Part Number	Body Number	Standard Seal Cap			Replacement Seal Cap			Replacement Kit**	Valve Kit *	Manufacturer Reference	
		Material	Seal Cap *****	Kit	Plastic*****	Brass*****	Steel			Carrier	Copeland
A 16310	A 04707	Plastic	P 34632	P 35915	P 34632	A 15099	A 17419				
A 16311	A 04707	Plastic	P 34632	P 35915	P 34632	A 15099	A 17419	A 17515			998-0510-12
B 32197	A 04715	Plastic	P 34632	P 35915	P 34632	A 15099	A 17419	A 17529	06DA660-062		
A 15500	A 04707	Plastic	P 34632	P 35915	P 34632	A 15099	A 17419				
A 16312	A 04707	Plastic	P 34632	P 35915	P 34632	A 15099	A 17419	A 17516			998-0510-13

\* Valve kit includes valve, gasket and bolts

\*\* Replacement kit contains components to pack stem (pack gland, packing and pack washer)

\*\*\* Cap and cap gasket kit

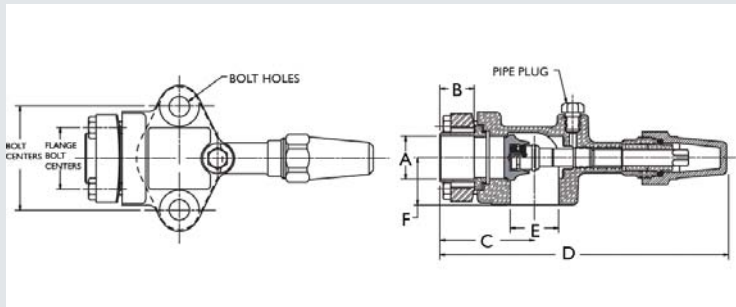
\*\*\*\* Seal cap and o-ring kit

\*\*\*\*\* O-ring included



### Features:

- Design Pressure (DP) / Maximum abnormal pressure (MAP): 700 psig, 48 bar
- Continuous operating temperature (COT): -40°F/300°F, -40°C/149°C
- Contact factory or visit website for compatibility with CFC, HCFC, HFC and HFO refrigerants and oils
- UL/cUL Recognized, Conforms to Pressure Equipment Directive 2014/68/EU
- 100% tested
- Asbestos-free valve packing
- Valve openings designed for maximum flow and minimum pressure drop



Valve Part Number	Valve Kit Part Number	A		B		C		D		E		F		Bolt Centers in mm	Bolt Hole Diameter in mm	Pipe Plug Size in	Flange Thickness		Seat Position	Valve Wt		Valve Kit Wt		
		in	mm	in	mm	in	mm	in	mm	in	mm	in	mm				in	mm		lb	kg	lb	kg	
A 16313		3/4	19	0.62	16	2.31	59	7.33	186	1.25	32	1.25	32	2 3/4	70	.531	13	1	25	Front	3.93	1.78		
A 16314	A 17527	7/8	22	0.75	19	2.31	59	7.33	186	1.25	32	1.25	32	2 3/4	70	.531	13	1	25	Front	3.90	1.77	4.05	1.84
A 16315	A 17525	1 1/8	29	0.91	23	2.47	63	7.49	190	1.25	32	1.25	32	2 3/4	70	.531	13	1	25	Front	3.66	1.66	4.03	1.83
A 16316	A 17526	1 3/8	35	0.97	25	2.47	63	7.49	190	1.25	32	1.25	32	2 3/4	70	.531	13	1	25	Front	3.65	1.66	3.80	1.72

### Torque To Seal

Front Seat		Back Seat		Pack Gland		Pipe Plug	Plastic Cap	Brass Cap		Steel Cap	
(ft-lb)	(N-m)	(ft-lb)	(N-m)	(ft-lb)	(N-m)			(ft-lb)	(N-m)	(ft-lb)	(N-m)
30 - 40	41 - 54	22 - 45	30 - 61	15 - 25	20 - 34	2 - 3 Threads Exposed	Hand Tight	40 - 50	54 - 68	NA	NA

### References

Valve Part Number	Valve Kit Part Number *	Body Number	Standard Seal Cap		Replacement Seal Cap			Replacement Kit**	Valve Kit *	Manufacturer Reference to Valve Kit Part Number	
			Material	Seal Cap *****	Kit	Plastic *****	Brass***			Steel	Carrier
A 16313	A 16313	A 03416	Plastic	P 34632	P 35915	P 34632	A 15099	A 17419			
A 16314	A 16314	A 03416	Plastic	P 34632	P 35915	P 34632	A 15099	A 17419	A 17527		998-0510-10
A 16315	A 16315	A 03416	Plastic	P 34632	P 35915	P 34632	A 15099	A 17419	A 17525		998-0510-09
A 16316	A 16316	A 03416	Plastic	P 34632	P 35915	P 34632	A 15099	A 17419	A 17526		998-0510-11

\* Valve kit includes valve, gasket and bolts

\*\* Replacement kit contains components to pack stem (pack gland, packing and pack washer)

\*\*\* Cap and cap gasket kit

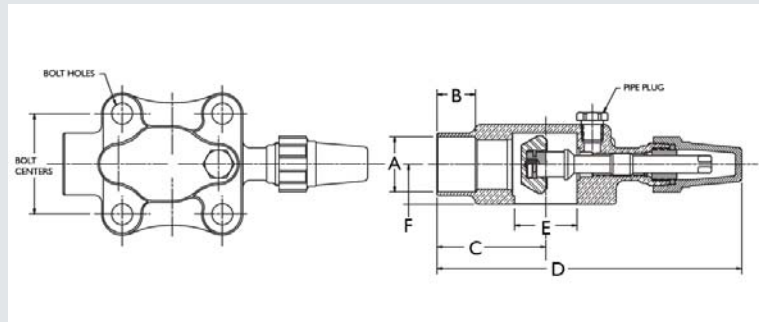
\*\*\*\* Seal cap and o-ring kit

\*\*\*\*\* O-ring included



### Features:

- Design Pressure (DP) / Maximum abnormal pressure (MAP): 700 psig, 48 bar
- Continuous operating temperature (COT): -40°F/300°F, -40°C/149°C
- Contact factory or visit website for compatibility with CFC, HCFC, HFC and HFO refrigerants and oils
- UL/cUL Recognized, Conforms to Pressure Equipment Directive 2014/68/EU
- 100% tested
- Asbestos-free valve packing
- Valve openings designed for maximum flow and minimum pressure drop
- Flat Gasket Surface



Valve Part Number	Valve Kit Part Number*	A		B		C		D		E		F		Bolt Centers		Bolt Hole Diameter		Pipe Plug Size	Flange Thickness		Seat Position	Valve Wt		Valve Kit Wt	
		in	mm	in	mm	in	mm	in	mm	in	mm	in	mm	in	mm	in	mm	in	mm	mm		mm	lb	kg	lb
B 32807	A 17532	1 1/8	29	0.90	23	2.72	69	7.61	193	1.56	40	1.00	25	2.5	64	.53	13	1/4			Mid	4.00	1.81	4.47	2.03
B 32808	A 17533	1 3/8	35	0.96	24	2.72	69	7.61	193	1.56	40	1.00	25	2.5	64	.53	13	1/4			Mid	3.98	1.80	4.67	2.12
B 32930	A 17534	1 5/8	41	1.10	28	2.88	73	7.89	200	1.81	46	1.03	26	2.5	64	.53	13	1/4			Mid	4.13	1.87	4.67	2.12

### Torque To Seal

Front Seat		Back Seat		Pack Gland		Pipe Plug	Plastic Cap	Brass Cap		Steel Cap	
(ft-lb)	(N-m):	(ft-lb)	(N-m):	(ft-lb)	(N-m):			(ft-lb)	(N-m)	(ft-lb)	(N-m)
22 - 40	30 - 54	25 - 45	34 - 61	10 - 15	14 - 20	2 - 3 Threads Exposed	Hand Tight	40 - 50	54 - 68	NA	NA

### References

Valve Part Number	Valve Kit Part Number*	Body Number	Material	Standard Seal Cap		Replacement Seal Cap			Replacement Kit**	Valve Kit *	Manufacturer Reference to Valve Kit Part Number	
				Seal Cap ****	Kit	Plastic*****	Brass*****	Steel			Carrier	Copeland
B 32807	B 32807	F 27950	Plastic	P 34632	P 35915	P 34632	A 15099		A 17418	A 17532	06DA660-063	
B 32808	B 32808	F 27955	Plastic	P 34632	P 35915	P 34632	A 15099		A 17418	A 17533	06DA660-065	
B 32930	B 32930	F 29201	Plastic	P 34632	P 35915	P 34632	A 15099		A 17418	A 17534	06DA660-090	

\* Valve kit includes valve, gasket and bolts

\*\* Replacement kit contains components to pack stem (pack gland, packing and pack washer)

\*\*\* Cap and cap gasket kit

\*\*\*\* Seal cap and o-ring kit

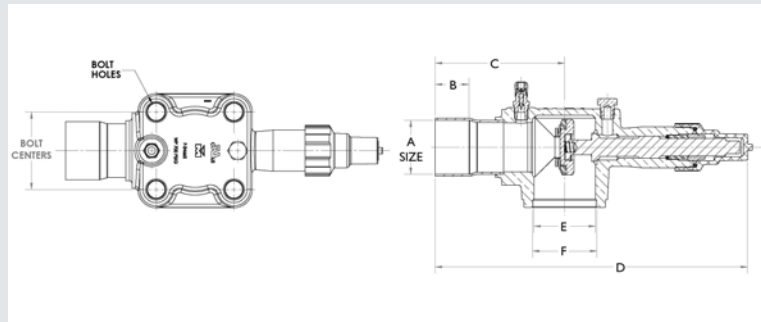
\*\*\*\*\* O-ring included





### Features:

- Design Pressure (DP) / Maximum abnormal pressure (MAP): 700 psig, 48 bar
- Continuous operating temperature (COT): -40°F/300°F, -40°C/149°C
- Contact factory or visit website for compatibility with CFC, HCFC, HFC and HFO refrigerants and oils
- UL/cUL Recognized, Conforms to Pressure Equipment Directive 2014/68/EU
- 100% tested
- Asbestos-free valve packing
- Valve openings designed for maximum flow and minimum pressure drop



Valve Part Number	Valve Kit Part Number	A		B		C		D		E		F		Bolt Centers		Bolt Hole Diameter		Pipe Plug Size	Access Port	Seat Position	Valve Wt		Valve Kit Wt	
		in	mm	in	mm	in	mm	in	mm	in	mm	in	mm	in	mm	in	mm	in	in		lb	kg	lb	kg
A 17495		2 1/8	54	1.34	34	5.09	129	12.31	313	2.42	61	2.53	64	3.06	78	.69	17	1/4	0.25	Mid	11.84	5.37		

### Torque To Seal

Front Seat		Back Seat		Pack Gland		Pipe Plug	Plastic Cap	Brass Cap	Steel Cap		
(ft-lb)	(N-m)	(ft-lb)	(N-m)	(ft-lb)	(N-m)			(ft-lb)	(N-m)	(ft-lb)	(N-m)
45 - 65	61 - 88	45 - 65	61 - 88	35 - 45		240 - 300	Hand Tight				

### References

Valve Part Number	Valve Kit Part Number*	Body Number	Material	Standard Seal Cap		Replacement Seal Cap			Replacement Kit**	Valve Kit *	Manufacturer Reference to Valve Kit Part Number	
				Seal Cap *****	Kit	Plastic*****	Brass****	Steel			Carrier	Copeland
A 17495	A 17495	F 34665	Plastic	N 02849	A 17668	A 17668	A 15099		A 17422			

\*\*\*\* Seal cap and o-ring kit

\*\*\*\*\* O-ring included