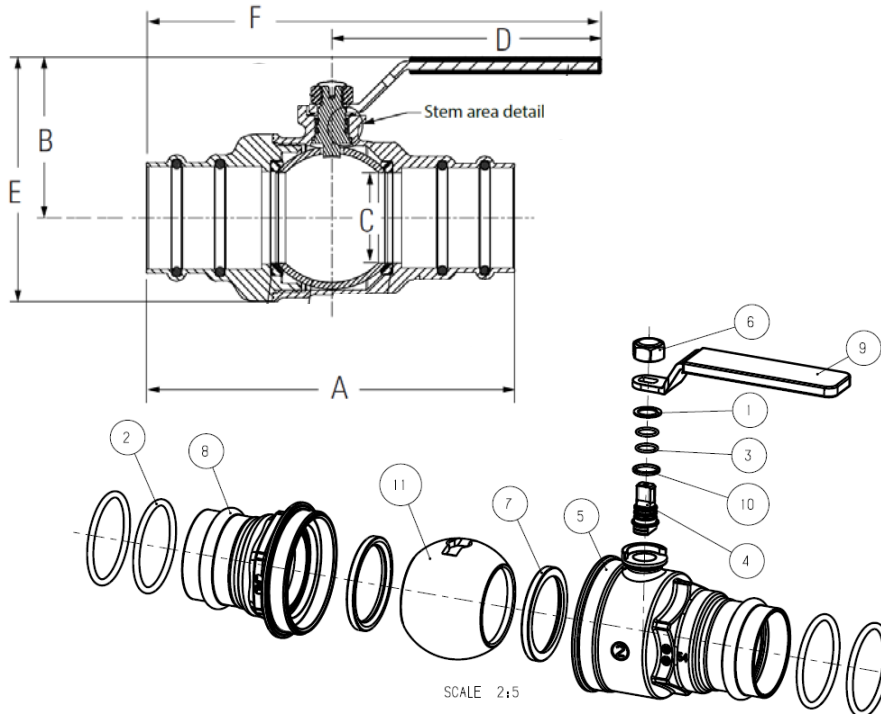


PRESS BALL VALVES FOR PLUMBING AND MECHANICAL APPLICATIONS

Features:

- Lead-Free* Brass construction
- Press x Press connections
- For use in plumbing or mechanical applications.
- Designed to join ASTM B88 (Types K, L, M) hard-drawn copper tube.
- Compatible with most common pressing tools and jaws in the market.
- Double o-ring design provides superior sealing capabilities.
- Manufactured in an ISO facility.



Materials & Specifications

No.	Description	Material
1	Anti-friction washer	PTFE (Polytetrafluoroethylene)
2	Socket O-rings (4)	EPDM
3	Stem O-rings (2)	FPM (Fluoro-elastomer)
4	Stem	Chrome-plated LF* forged brass (CW510L)
5	Body	Lead-Free* forged brass (CW510L)
6	Handle Nut	Steel with PVC resin lock
7	Seats (2)	PTFE (Polytetrafluoroethylene)
8	Socket	Lead-Free* forged brass (CW510L)
9	Handle	Steel
10	Thrust washer	PTFE (Polytetrafluoroethylene)
11	Ball	Chrome-plated Lead-Free* forged brass (CW510L)

Dimensions are in inches

Part No.	Size	A	B	C	D	E	F
107-723PV	½	3.90	1.43	0.59	3.04	2.05	5.00
107-724PV	¾	4.51	1.90	0.79	3.74	2.68	6.00
107-725PV	1	4.77	2.06	1.00	3.74	3.01	6.13
107-726PV	1-1/4	5.08	2.24	1.26	3.74	3.40	6.28
107-727PV	1-1/2	5.83	2.77	1.58	5.38	4.15	8.30
107-728PV	2	7.33	3.08	2.00	5.38	4.76	9.15

Tube insertion depth in inches

Nominal Tube Size	½	¾	1	1-1/4	1-1/2	2
Insertion Depth	1-3/8	1-9/16	1-9/16	1-9/16	1-3/4	2-3/16



7700LF Series
Part No.
107-723PV ~ 107-728PV
1/2" ~ 2"

APPROVALS & CERTIFICATIONS

- Certified to NSF-61G
- Conforms to MSS SP-110+;

OPERATING PARAMETERS

- Working Pressure: 200 PSI CWP max
- Temperature Range: 0°F - 230°F

Saturated Steam (WSP):

- Not suitable for steam service

APPROVED APPLICATIONS

- Potable water
- Hydronic heating (w/ glycol)
- Chilled water
- Compressed air (200 PSI max)
- Non-medical gases (140 PSI max)
- Vacuum (24.5" mercury max @ 68°F)

BODY DESIGN PRESSURE

CWP - Non-Shock:

- 1/2" and 3/4": 600 p.s.i.
- 1" and 1-1/4": 500 p.s.i.
- 1-1/2" and 2": 400 p.s.i.



Certified to NSF/ANSI 61-G



WETTED SURFACE CONTAINS LESS THAN 0.25% LEAD BY WEIGHT

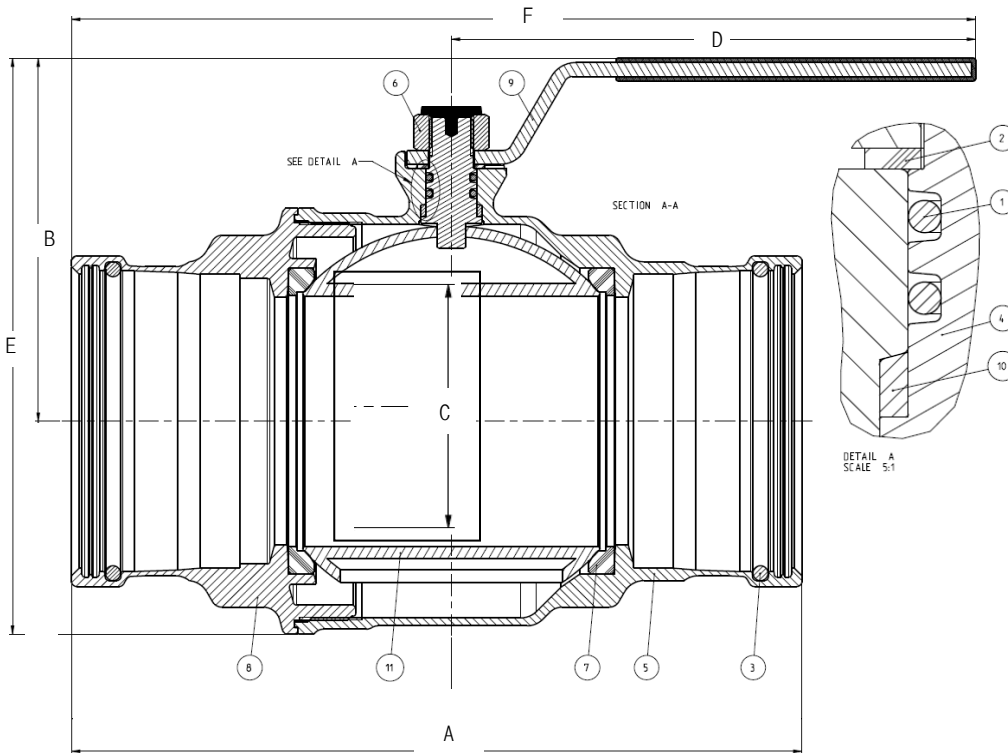
*Products comply with 0.25% weighted average lead content on wetted surfaces, in accordance with Safe Water Drinking Act (SDWA) / Federal Public Law No. 111-380.

†Press-type end connections are currently excluded from the MSS SP-110 Standard.

PRESS BALL VALVES FOR PLUMBING AND MECHANICAL APPLICATIONS

Features:

- Lead-Free* Brass construction
- Press x Press connections
- For use in plumbing or mechanical applications.
- Designed to join ASTM B88 (Types K, L, M) hard-drawn copper tube.
- Compatible with most common pressing tools and jaws in the market.
- Double o-ring design provides superior sealing capabilities.
- Manufactured in an ISO facility.



7700LF Series
Part No.

107-729PV ~ 107-731PV

2-1/2" ~ 4"

APPROVALS & CERTIFICATIONS

- Certified to NSF-61G

OPERATING PARAMETERS

- Working Pressure: 200 PSI CWP max
- Temperature Range: 0°F - 230°F

Saturated Steam (WSP):

- Not suitable for steam service

APPROVED APPLICATIONS

- Potable water
- Hydronic heating (w/ glycol)
- Chilled water
- Compressed air (200 PSI max)
- Non-medical gases (140 PSI max)
- Vacuum (24.5" mercury max @ 68°F)

BODY DESIGN PRESSURE

CWP – Non-Shock:

- 2-1/2": 300 p.s.i.
- 3": 300 p.s.i.
- 4": 250 p.s.i.

Materials & Specifications

No.	Description	Material
1	Stem O-rings (2)	FPM (Fluoro-elastomer)
2	Anti-friction washer	PTFE (Polytetrafluoroethylene)
3	Socket O-rings (2)	EPDM
4	Stem	Chrome-plated LF* forged brass (CW509L)
5	Body	Lead-Free* forged brass (CW509L)
6	Handle Nut	Steel with PVC resin lock
7	Seats (2)	PTFE (Polytetrafluoroethylene)
8	Socket	Lead-Free* forged brass (CW509L)
9	Handle	Steel
10	Thrust washer	PTFE (Polytetrafluoroethylene)
11	Ball	Chrome-plated Lead-Free* forged brass (CW510L)

Dimensions are in inches

Part No.	Size	A	B	C	D	E	F
107-723PV	2-1/2	8.27	4.04	2.30	6.82	6.06	11.16
107-724PV	3	8.96	4.33	2.70	6.82	6.67	11.48
107-725PV	4	10.24	5.13	3.50	7.35	8.15	12.67

Tube insertion depth in inches

Nominal Tube Size	2-1/2	3	4
Insertion Depth	2-3/16	2-1/4	2-3/8



Certified to
NSF/ANSI 61-G



WETTED SURFACE CONTAINS LESS
THAN 0.25% LEAD BY WEIGHT

*Products comply with 0.25% weighted average lead content on wetted surfaces, in accordance with Safe Water Drinking Act (SDWA) / Federal Public Law No. 111-380.