



# CARBON STEEL PRESS FITTINGS

## UW STL0224

Effective February 12, 2024

(Supersedes UW STL0622)

Wholesale list pricing. Please consult your sales representative for any pricing details and further information. The issuance of this price list is not an offer to sell the goods listed herein at the prices stated.

### STL-G GAS

#### 45° ELBOW P X P



Item No.	Diameter	Wt	Inner	MC	List
CP03026G	1/2"	0.213	10	100	24.24
CP03034G	3/4"	0.297	10	70	29.29
CP03044G	1"	0.523	5	40	36.60
CP03050G	1-1/4"	0.957	1	20	64.47
CP03055G	1-1/2"	1.031	1	15	80.88
CP03059G	2"	1.270	1	5	114.83

#### 45° ELBOW • STREET P X FTG



Item No.	Diameter	Wt	Inner	MC	List
CP03326G	1/2"	0.213	10	120	24.24
CP03334G	3/4"	0.297	10	30	29.29
CP03344G	1"	0.523	5	40	36.60
CP03350G	1-1/4"	0.957	1	20	64.47
CP03355G	1-1/2"	1.031	1	15	80.88
CP03359G	2"	1.232	1	5	114.83

#### 90° ELBOW P X P



Item No.	Diameter	Wt	Inner	MC	List
CP02722G	1/2"	0.264	10	40	23.25
CP02734G	3/4"	0.408	10	50	26.48
CP02747G	1"	0.692	5	15	32.16
CP02055G	1-1/4"	1.184	1	6	55.90
CP02063G	1-1/2"	1.322	1	4	71.43
CP02072G	2"	1.756	1	7	106.22

#### 90° ELBOW • STREET P X FTG



Item No.	Diameter	Wt	Inner	MC	List
CP02822G	1/2"	0.264	10	50	23.72
CP02834G	3/4"	0.390	10	30	26.48
CP02847G	1"	0.714	5	30	32.16
CP02350G	1-1/4"	1.184	1	10	55.90
CP02355G	1-1/2"	1.322	1	10	71.43
CP02359G	2"	1.756	1	7	106.22

#### COUPLING • WITH STOP P X P



Item No.	Diameter	Wt	Inner	MC	List
CP10145G	1/2"	0.221	10	50	21.45
CP10146G	3/4"	0.300	10	70	24.61
CP10147G	1"	0.454	5	40	36.38
CP10148G	1-1/4"	0.745	1	20	46.70
CP10149G	1-1/2"	0.871	1	15	63.07
CP10150G	2"	1.058	1	12	91.62

#### COUPLING • NO STOP P X P



Item No.	Diameter	Wt	Inner	MC	List
CP01903G	1/2"	0.218	10	100	26.12
CP01905G	3/4"	0.298	10	70	29.79
CP01906G	1"	0.439	5	40	41.15
CP01907G	1-1/4"	0.725	1	20	53.23
CP01908G	1-1/2"	0.858	1	17	70.24
CP01909G	2"	1.014	1	12	99.28

#### COUPLING • REDUCING P X P



Item No.	Diameter	Wt	Inner	MC	List
CP01036G	3/4" x 1/2"	0.249	5	40	27.05
CP01051G	1" x 1/2"	0.333	5	30	32.40
CP01049G	1" x 3/4"	0.355	5	30	32.47
CP01058G	1-1/4" x 3/4"	0.529	1	15	50.54
CP01056G	1-1/4" x 1"	0.573	1	12	50.71
CP01064G	1-1/2" x 1-1/4"	0.767	1	10	64.22
CP01074G	2" x 1-1/4"	0.893	1	8	85.43
CP01073G	2" x 1-1/2"	0.897	1	8	94.37

#### COUPLING • EXTENDED • NO STOP P X P



Item No.	Diameter	Wt	Inner	MC	List
CP01950G	1/2"	0.280	10	40	73.05
CP01952G	3/4"	0.381	10	30	78.54
CP01955G	1"	0.564	5	15	92.06
CP01956G	1-1/4"	0.873	1	20	99.51
CP01957G	1-1/2"	0.983	1	8	102.14
CP01958G	2"	1.157	1	6	105.53

#### ADAPTER • MALE P X MPT



Item No.	Diameter	Wt	Inner	MC	List
CP01131G	1/2"	0.181	10	70	29.79
CP01146G	3/4"	0.262	10	60	32.39
CP01163G	1"	0.381	5	30	40.57
CP01171G	1-1/4"	0.553	5	20	49.01
CP01179G	1-1/2"	0.778	1	20	57.49
CP01187G	2"	0.871	1	15	87.55

#### ADAPTER • FEMALE P X FPT



Item No.	Diameter	Wt	Inner	MC	List
CP01231G	1/2"	0.132	10	80	26.72
CP01246G	3/4"	0.216	10	60	30.59
CP01263G	1"	0.453	5	20	40.25
CP01271G	1-1/4"	0.527	5	35	48.41
CP01279G	1-1/2"	0.991	1	20	55.91
CP01287G	2"	0.800	1	15	83.74

#### ADAPTER • FEMALE • REDUCING P X FPT



Item No.	Diameter	Wt	Inner	MC	List
CP01247G	3/4" x 1/2"	0.201	10	80	37.93
CP01265G	1" x 1/2"	0.282	10	50	46.81
CP01264G	1" x 3/4"	0.309	5	40	49.09
CP01268G	1-1/4" x 1/2"	0.474	1	30	60.00
CP01269G	1-1/4" x 3/4"	0.492	1	30	59.67
CP01272G	1-1/4" x 1"	0.476	1	15	58.63
CP01276G	1-1/2" x 1/2"	0.571	1	13	66.48
CP01277G	1-1/2" x 3/4"	0.582	1	25	63.51
CP11279G	1-1/2" x 1"	0.620	1	25	64.80
CP01280G	1-1/2" x 1-1/4"	0.626	1	25	62.12
CP01283G	2" x 1/2"	0.750	1	20	90.94
CP01284G	2" x 3/4"	0.758	1	20	89.42
CP01285G	2" x 1"	0.721	1	20	93.08
CP01286G	2" x 1-1/4"	0.752	1	20	91.36
CP01288G	2" x 1-1/2"	0.701	1	20	85.78

#### FITTING REDUCER FTG X P



Item No.	Diameter	Wt	Inner	MC	List
CP01326G	3/4" x 1/2"	0.209	5	100	27.05
CP01339G	1" x 1/2"	0.280	5	40	32.40
CP01337G	1" x 3/4"	0.295	5	80	32.47
CP01343G	1-1/4" x 1"	0.485	1	35	50.77
CP01353G	1-1/2" x 3/4"	0.509	1	30	61.02
CP01351G	1-1/2" x 1"	0.726	1	30	61.26
CP01350G	1-1/2" x 1-1/4"	0.879	1	20	64.22
CP01360G	2" x 1"	0.692	1	20	82.78
CP01359G	2" x 1-1/4"	0.798	1	20	85.43
CP01358G	2" x 1-1/2"	0.833	1	8	94.37

#### TEE P X P X P



Item No.	Diameter	Wt	Inner	MC	List
CP04006G	1/2"	0.397	5	50	38.02
CP04031G	3/4"	0.578	5	30	41.95
CP04048G	1"	0.799	5	20	49.78
CP04068G	1-1/4"	1.343	1	8	85.44
CP04084G	1-1/2"	1.575	1	8	100.53
CP40102G	2"	2.002	1	5	162.96

#### TEE • REDUCING P X P X P



Item No.	Diameter	Wt	Inner	MC	List
CP04033G	3/4" x 3/4" x 1/2"	0.527	5	30	45.59
CP04051G	1" x 1" x 1/2"	0.741	5	25	56.93
CP04049G	1" x 1" x 3/4"	0.803	5	20	55.68
CP04071G	1 1/4" x 1 1/4" x 1/2"	1.140	1	14	91.95
CP04070G	1 1/4" x 1 1/4" x 3/4"	1.186	1	12	91.25
CP04069G	1 1/4" x 1 1/4" x 1"	1.259	1	10	89.50
CP04088G	1 1/2" x 1 1/2" x 1/2"	1.238	1	10	124.57
CP04087G	1 1/2" x 1 1/2" x 3/4"	1.270	1	10	115.89
CP04086G	1 1/2" x 1 1/2" x 1"	1.356	1	8	116.99
CP04085G	1 1/2" x 1 1/2" x 1 1/4"	1.510	1	8	113.02
CP04107G	2" x 2" x 1/2"	1.609	1	7	187.92
CP04106G	2" x 2" x 3/4"	1.656	1	7	177.58
CP04105G	2" x 2" x 1"	1.711	1	7	175.87
CP04104G	2" x 2" x 1 1/4"	1.833	1	6	189.88
CP04103G	2" x 2" x 1-1/2"	1.898	1	6	193.64

#### TEE • FEMALE • REDUCING P X P X FPT



Item No.	Diameter	Wt	Inner	MC	List
CP01539G	3/4" x 3/4" x 1/2"	0.474	5	35	47.19
CP01538G	3/4" x 3/4" x 3/4"	0.545	5	35	49.47
CP01570G	1" x 1" x 1/2"	0.692	5	30	53.64
CP01572G	1" x 1" x 3/4"	0.758	5	30	53.13
CP01613G	1-1/4" x 1-1/4" x 1/2"	1.067	1	15	78.33
CP02654G	1-1/4" x 1-1/4" x 3/4"	1.133	1	12	93.35
CP02655G	1-1/4" x 1-1/4" x 1"	1.204	1	12	101.15
CP01645G	1-1/2" x 1-1/2" x 1/2"	1.234	1	10	126.93
CP02673G	1-1/2" x 1-1/2" x 3/4"	1.322	1	10	117.66
CP02688G	1-1/2" x 1-1/2" x 1"	1.388	1	10	120.67
CP02691G	1-1/2" x 1-1/2" x 1-1/4"	1.499	1	8	123.63
CP01699G	2" x 2" x 1/2"	1.545	1	8	177.11
CP02706G	2" x 2" x 3/4"	1.646	1	8	175.44
CP02703G	2" x 2" x 1"	1.665	1	7	177.64
CP02704G	2" x 2" x 1-1/4"	1.706	1	7	193.65
CP02705G	2" x 2" x 1-1/2"	2.031	1	7	196.21

**STL-G GAS (CONTINUED)**

**UNION P X P** 

Item No.	Diameter	Wt	Inner	MC	List
CP08003G	1/2"	0.415	5	30	126.00
CP08004G	3/4"	0.610	5	20	123.89
CP08005G	1"	1.007	5	25	152.04
CP11205G	1-1/4"	1.488	1	7	196.07
CP11206G	1-1/2"	1.830	1	5	225.80
CP11207G	2"	2.542	1	4	282.53

**UNION • FEMALE P X FPT** 

Item No.	Diameter	Wt	Inner	MC	List
CP11422G	1/2"	0.368	5	30	118.83
CP11423G	3/4"	0.541	5	20	116.83
CP11424G	1"	0.885	5	15	143.36
CP11425G	1-1/4"	1.257	1	7	180.35
CP11426G	1-1/2"	1.644	1	5	207.70
CP11427G	2"	2.148	1	3	266.42

**UNION • MALE P X MPT** 

Item No.	Diameter	Wt	Inner	MC	List
CP11210G	1/2"	0.368	5	30	128.20
CP11211G	3/4"	0.541	5	20	126.05
CP11212G	1"	0.885	5	15	154.69
CP11213G	1-1/4"	1.257	1	8	194.61
CP11214G	1-1/2"	1.644	1	5	224.10
CP11215G	2"	2.148	1	3	287.49

**FLANGE P X FLANGE** 

Item No.	Diameter	Wt	Inner	MC	List
CP02881G	1/2"	1.225	1	4	147.53
CP04114G	3/4"	1.660	1	4	154.56
CP02933G	1"	2.400	1	4	161.15
CP03806G	1-1/4"	3.091	1	2	168.94
CP03907G	1-1/2"	3.880	1	2	201.97
CP02980G	2"	5.893	1	1	253.45

**CAP P** 

Item No.	Diameter	Wt	Inner	MC	List
CP07007G	1/2"	0.124	10	120	26.56
CP07009G	3/4"	0.185	10	80	27.78
CP07011G	1"	0.284	5	80	31.40
CP07012G	1-1/4"	0.434	1	30	53.67
CP07013G	1-1/2"	0.545	1	25	68.56
CP07014G	2"	0.697	1	20	84.72

**STL MECHANICAL**

**45° ELBOW P X P** 

Item No.	Diameter	Wt	Inner	MC	List
CP03026	1/2"	0.213	10	100	22.76
CP03034	3/4"	0.297	10	70	27.62
CP03044	1"	0.523	5	40	34.75
CP03050	1-1/4"	0.957	1	20	62.20
CP03055	1-1/2"	1.031	1	15	78.03
CP03059	2"	1.270	1	5	108.05

**45° ELBOW • STREET P X FTG** 

Item No.	Diameter	Wt	Inner	MC	List
CP03326	1/2"	0.213	10	120	23.45
CP03334	3/4"	0.297	10	30	28.46
CP03344	1"	0.523	5	40	35.80
CP03350	1-1/4"	0.957	1	20	62.20
CP03355	1-1/2"	1.031	1	15	78.03
CP03359	2"	1.232	1	5	108.05

**90° ELBOW P X P** 

Item No.	Diameter	Wt	Inner	MC	List
CP02722	1/2"	0.264	10	40	22.44
CP02734	3/4"	0.408	10	50	25.10
CP02747	1"	0.692	5	15	30.54
CP02055	1-1/4"	1.184	1	6	52.09
CP02063	1-1/2"	1.322	1	4	67.22
CP02072	2"	1.756	1	7	99.68

**90° ELBOW • STREET P X FTG** 


Item No.	Diameter	Wt	Inner	MC	List
CP02822	1/2"	0.264	10	50	22.44
CP02834	3/4"	0.390	10	30	24.61
CP02847	1"	0.714	5	30	29.96
CP02350	1-1/4"	1.184	1	10	52.09
CP02355	1-1/2"	1.322	1	10	67.22
CP02359	2"	1.756	1	7	99.68

**COUPLING • WITH STOP P X P** 

Item No.	Diameter	Wt	Inner	MC	List
CP10145	1/2"	0.221	10	50	20.23
CP10146	3/4"	0.300	10	70	23.15
CP10147	1"	0.454	5	40	34.54
CP10148	1-1/4"	0.745	1	20	43.96
CP10149	1-1/2"	0.871	1	15	59.36
CP10150	2"	1.058	1	12	85.96

**COUPLING • NO STOP P X P** 

Item No.	Diameter	Wt	Inner	MC	List
CP01903	1/2"	0.218	10	100	24.50
CP01905	3/4"	0.298	10	70	27.39
CP01906	1"	0.439	5	40	38.80
CP01907	1-1/4"	0.725	1	20	48.99
CP01908	1-1/2"	0.858	1	17	64.62
CP01909	2"	1.014	1	12	91.34

**COUPLING • REDUCING P X P** 

Item No.	Diameter	Wt	Inner	MC	List
CP01036	3/4" x 1/2"	0.249	5	40	26.01
CP01051	1" x 1/2"	0.333	5	30	30.82
CP01049	1" x 3/4"	0.355	5	30	31.29
CP01058	1-1/4" x 3/4"	0.529	1	15	47.90
CP01056	1-1/4" x 1"	0.573	1	12	47.90
CP01064	1-1/2" x 1-1/4"	0.767	1	10	60.21
CP01074	2" x 1-1/4"	0.893	1	8	80.12
CP01073	2" x 1-1/2"	0.897	1	8	89.01

**COUPLING • EXTENDED • NO STOP P X P** 

Item No.	Diameter	Wt	Inner	MC	List
CP01950	1/2"	0.280	10	40	69.91
CP01952	3/4"	0.381	10	30	75.17
CP01955	1"	0.564	5	15	88.07
CP01956	1-1/4"	0.873	1	20	95.23
CP01957	1-1/2"	0.983	1	8	97.75
CP01958	2"	1.157	1	6	100.97

**ADAPTER • MALE P X MPT** 

Item No.	Diameter	Wt	Inner	MC	List
CP01131	1/2"	0.181	10	70	28.38
CP01146	3/4"	0.262	10	60	30.77
CP01163	1"	0.381	5	30	38.28
CP01171	1-1/4"	0.553	5	20	46.70
CP01179	1-1/2"	0.778	1	20	54.76
CP01187	2"	0.871	1	15	81.30

**ADAPTER • FEMALE P X FPT** 

Item No.	Diameter	Wt	Inner	MC	List
CP01231	1/2"	0.132	10	80	25.06
CP01246	3/4"	0.216	10	60	28.12
CP01263	1"	0.453	5	20	37.37
CP01271	1-1/4"	0.527	5	35	43.69
CP01279	1-1/2"	0.991	1	20	51.46
CP01287	2"	0.800	1	15	77.07

**STL** **MECHANICAL**  
(CONTINUED)

**ADAPTER • FEMALE • REDUCING**  
P X P FPT



Item No.	Diameter	Wt	Inner	MC	List
CP01247	3/4" x 1/2"	0.201	10	80	35.17
CP01265	1" x 1/2"	0.282	10	50	45.02
CP01264	1" x 3/4"	0.309	5	40	43.43
CP01268	1-1/4" x 1/2"	0.474	1	30	55.44
CP01269	1-1/4" x 3/4"	0.492	1	30	55.12
CP01272	1-1/4" x 1"	0.476	1	15	50.39
CP01276	1-1/2" x 1/2"	0.571	1	13	62.45
CP01277	1-1/2" x 3/4"	0.582	1	25	61.04
CP11279	1-1/2" x 1"	0.620	1	25	59.99
CP01280	1-1/2" x 1-1/4"	0.626	1	25	50.39
CP01283	2" x 1/2"	0.750	1	20	85.70
CP01284	2" x 3/4"	0.758	1	20	85.21
CP01285	2" x 1"	0.721	1	20	88.57
CP01286	2" x 1-1/4"	0.752	1	20	87.09
CP01288	2" x 1-1/2"	0.701	1	20	74.61

**FITTING REDUCER**  
FTG X P



Item No.	Diameter	Wt	Inner	MC	List
CP01326	3/4" x 1/2"	0.209	5	100	26.01
CP01339	1" x 1/2"	0.280	5	40	30.82
CP01337	1" x 3/4"	0.295	5	80	31.29
CP01343	1-1/4" x 1"	0.485	1	35	47.90
CP01353	1-1/2" x 3/4"	0.509	1	30	57.20
CP01351	1-1/2" x 1"	0.567	1	30	58.87
CP01350	1-1/2" x 1-1/4"	0.567	1	20	60.21
CP01360	2" x 1"	0.692	1	20	77.60
CP01359	2" x 1-1/4"	0.798	1	20	80.12
CP01358	2" x 1-1/2"	0.833	1	8	89.01

**TEE**  
P X P X P



Item No.	Diameter	Wt	Inner	MC	List
CP04006	1/2"	0.397	5	50	36.53
CP04031	3/4"	0.578	5	30	40.49
CP04048	1"	0.849	5	20	48.01
CP04068	1-1/4"	1.343	1	8	82.44
CP04084	1-1/2"	1.575	1	8	94.81
CP40102	2"	2.002	1	5	154.84

**TEE • REDUCING**  
P X P X P



Item No.	Diameter	Wt	Inner	MC	List
CP04033	3/4" x 3/4" x 1/2"	0.527	5	30	44.23
CP04051	1" x 1" x 1/2"	0.741	5	25	54.71
CP04049	1" x 1" x 3/4"	0.803	5	20	53.70
CP04071	1-1/4" x 1-1/4" x 1/2"	1.140	1	14	89.35
CP04070	1-1/4" x 1-1/4" x 3/4"	1.186	1	12	88.92
CP04069	1-1/4" x 1-1/4" x 1"	1.259	1	10	87.45
CP04088	1-1/2" x 1-1/2" x 1/2"	1.238	1	10	116.78
CP04087	1-1/2" x 1-1/2" x 3/4"	1.270	1	10	112.47
CP04086	1-1/2" x 1-1/2" x 1"	1.356	1	8	112.44
CP04085	1-1/2" x 1-1/2" x 1-1/4"	1.510	1	8	109.93
CP40107	2" x 2" x 1/2"	1.609	1	7	176.13
CP40106	2" x 2" x 3/4"	1.656	1	7	171.28
CP40105	2" x 2" x 1"	1.711	1	7	169.63
CP40104	2" x 2" x 1-1/4"	1.833	1	6	180.81
CP40103	2" x 2" x 1-1/2"	1.898	1	6	184.23

**TEE • FEMALE • REDUCING**  
P X P X FPT



Item No.	Diameter	Wt	Inner	MC	List
CP01539	3/4" x 3/4" x 1/2"	0.474	5	35	47.25
CP01538	3/4" x 3/4" x 3/4"	0.545	5	35	47.45
CP01570	1" x 1" x 1/2"	0.692	5	30	54.14
CP01572	1" x 1" x 3/4"	0.758	5	30	54.14
CP01613	1-1/4" x 1-1/4" x 1/2"	1.067	1	15	77.29
CP02654	1-1/4" x 1-1/4" x 3/4"	1.133	1	12	91.46
CP02655	1-1/4" x 1-1/4" x 1"	1.204	1	12	89.22
CP01645	1-1/2" x 1-1/2" x 1/2"	1.234	1	10	116.78
CP02673	1-1/2" x 1-1/2" x 3/4"	1.322	1	10	110.30
CP02688	1-1/2" x 1-1/2" x 1"	1.388	1	10	113.29
CP02691	1-1/2" x 1-1/2" x 1-1/4"	1.499	1	8	111.34
CP01699	2" x 2" x 1/2"	1.545	1	8	176.13
CP02706	2" x 2" x 3/4"	1.646	1	8	169.63
CP02703	2" x 2" x 1"	1.665	1	7	161.92
CP02704	2" x 2" x 1-1/4"	1.706	1	7	172.68
CP02705	2" x 2" x 1-1/2"	2.031	1	7	185.71

**UNION**  
P X P



Item No.	Diameter	Wt	Inner	MC	List
CP 08003	1/2" x 1/2"	0.467	5	30	121.1
CP 08004	3/4" x 3/4"	0.785	5	20	116.88
CP 08005	1"	1.204	5	25	143.40
CP 11205	1-1/4"	2.119	1	7	183.80
CP 11206	1-1/2"	1.780	1	5	211.63
CP 11207	2"	2.462	1	3	266.46

**UNION • FEMALE**  
P X FPT



Item No.	Diameter	Wt	Inner	MC	List
CP11422	1/2"	0.346	5	30	110.03
CP11423	3/4"	0.515	5	20	108.18
CP11424	1"	0.845	5	15	132.76
CP11425	1-1/4"	1.213	1	8	167.02
CP11426	1-1/2"	1.593	1	5	192.31
CP11427	2"	2.069	1	3	246.68

**UNION • MALE**  
P X FPT



Item No.	Diameter	Wt	Inner	MC	List
CP11210	1/2"	0.000	5	30	118.7
CP11211	3/4"	0.000	5	20	116.73
CP11212	1"	0.000	5	25	143.25
CP11213	1-1/4"	0.000	1	8	180.21
CP11214	1-1/2"	0.000	1	5	207.50
CP11215	2"	0.000	1	3	266.20

**FLANGE**  
P X FLANGE

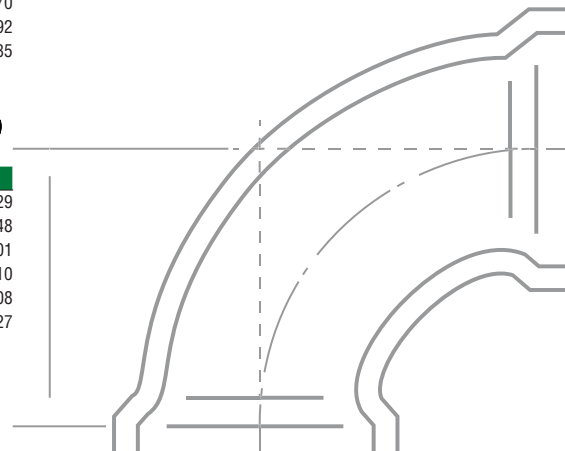


Item No.	Diameter	Wt	Inner	MC	List
CP02881	1/2"	1.225	1	4	139.93
CP04114	3/4"	1.660	1	4	146.91
CP02933	1"	2.400	1	4	152.92
CP03806	1-1/4"	3.091	1	2	159.70
CP03907	1-1/2"	3.880	1	2	172.92
CP02980	2"	5.893	1	1	214.35

**CAP**  
P



Item No.	Diameter	Wt	Inner	MC	List
CP07007	1/2"	0.124	10	120	25.29
CP07009	3/4"	0.185	10	80	26.48
CP07011	1"	0.284	5	80	30.01
CP07012	1-1/4"	0.434	1	30	51.10
CP07013	1-1/2"	0.545	1	25	65.08
CP07014	2"	0.697	1	20	80.27





Distributed by Mueller Streamline Co. • 150 Schilling Blvd., Suite 201, Collierville, TN 38017  
800-348-8464 • [www.muellerstreamline.com](http://www.muellerstreamline.com)